



Product data sheet

PROPEN



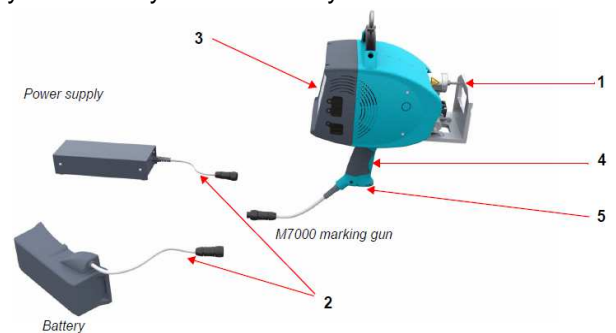
M7000

Touch'n Mark

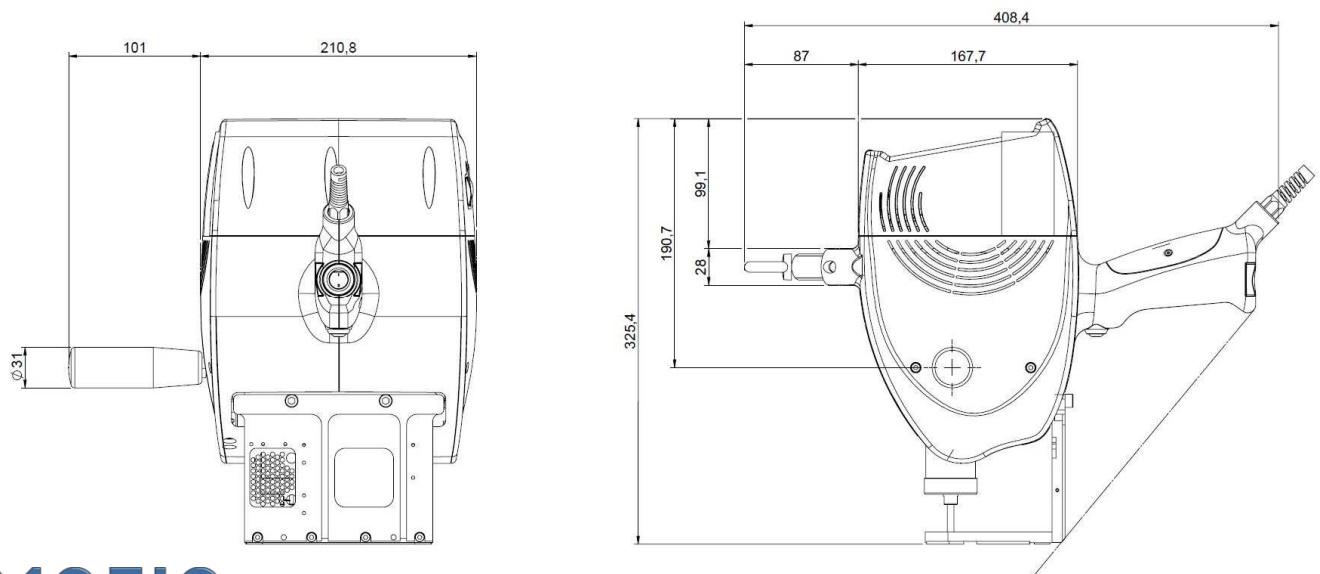
The M7000 is a numerically controlled micro-percussion marking machine. This machine works by moving a marking tool along the X and Y axes. The principle of micro percussion is based on making indents on the part surface. The control unit and the touch screen are integrated. It can be used with a power supply or a battery for full mobility.

DESCRIPTION:

- 1 : Stylus
- 2 : Connect the machine to the mains power supply or to the battery
- 3 : 7" colour touch screen
- 4 : Marking start trigger
- 5 : On / Off switch

**SPECIFICATIONS**

Machine		Machine		Environment	
Technology	Electromagnetic	Marking area	80x30 mm	Operating temperature	5 to 45°C
Dimensions (LxHxh)	325x211x408mm	Character size	From 1.5 to 28 mm	Operating humidity	20-85%
Weight	4.95 kg (without foot) 5.4 (with foot)	Internal software	P07	Power supply	100 to 240 V AC 50 to 60 Hz
Control Unit	Integrated	Connections	2 USB + 1 RS232	Compliance	CE ROHS, REACHS
Touch screen	7", colour , capacitive				

DIMENSIONS:

PROMATIC

ul. Ogórkowa 19C, 52-311 Wrocław
 tel. +48 604 489 700, tel. +48 531 531 647
 e-mail: biuro@promatic.info.pl
 e-mail: mcharmuszko@promatic.info.pl
 www.promatic.info.pl

GRAVOTECH GROUP

1. BATTERY

The battery maximizes the flexibility of the machine. Belt-mounting permits a large capacity for long intervals between charges, while providing all-day comfort and leaving both hands free. You can go anywhere you want to mark, with no distance limits.

Specifications	
Holder	On belt
Technology	Li-ion
Weight	1kg
Power supply	100 V AC – 240 V AC 50 to 60 Hz
Standard	UN38.3
Ref	73060



Your benefits

- ✓ Light battery, allows moving easily in all environment.
- ✓ Very high autonomy for marking
- ✓ Same marking result as power supply (same depth, same strength)



Perfect for traceability in steel yard

2. M-TRAVEL – TRANSPORT CASE



M-Travel is fitted to the machine and accessories, enabling you to transport in complete safety even in harsh environments. You can order a **full mobile** solution including the portable machine, the battery on belt delivered in transport suitcase.

Ideal for inventory control at remote sites

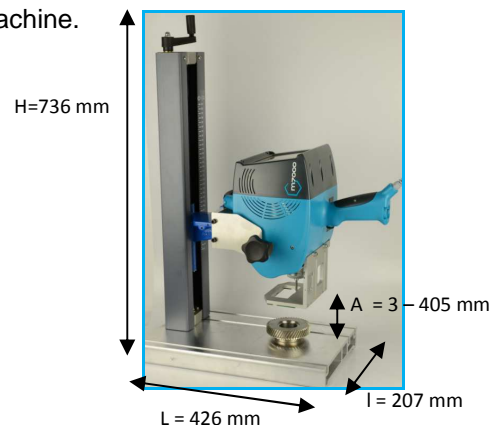
Specifications	
Dimensions	613x460x320 mm
Weight	8 kg
Ref	73289

3. DOCKING STATION – HYBRID SOLUTION



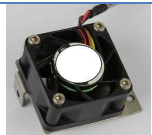


The docking station allows the M7000 to be used as a column-mount machine. This quick-disconnect system does not require any tools.

Specifications	
Dimensions (HxLxI)	736 x 426 x 207 mm
Poids	20kg
Height adjustment	Manually by crank handle
Amplitude	3 mm to 405 mm
Ref	73117

Great for the pump industry, mark large casting and the ID tags with one system



4. OTHERS OPTIONS AND ACCESSORIES

Marking area light. To ease part placement.		Side Handle Left or right mounting. Ref: 72186		Cooling fan to increase operating factor Ref: 73066	
Lift ring Ref: 52307		Barcode read for data import. Ref: 63129		Screen protection: 5 protective films Ref: 73117	